

# KOJO

## INDUSTRIAL VALVES



**KOJO VALVE CO.,LTD**

# PROFILE



## ABOUT KOJO

KOJO is one of the Chinese leading manufacturers of industrial steel valves. It is established in 2006. Our valves are supplied for a broad range of applications in the power generation, chemical and petrochemical, oil and gas, pulp and paper, mining, and ship-building industries. We concentrate on one business; designing, manufacturing and marketing advanced technology steel valves in a broad range of types and sizes. Our products include various types of valves in different materials. They are manufactured according to some internationally accepted standards such as API, ANSI, DIN, BS, and JIS.

**Our Production Capacity:** Welded Body Ball Valve : 2"-48" #150-2500, Qty: 18000 Pcs per year, Trunnion Mounted Ball Valve: 2"-36" #150-2500, Qty: 38000 Pcs Per year, Floating Ball Valve: 1/2"-12", #150-600, Qty: 18000 Pcs per year, Plug Valve: 1/2"-16" #150-900, Qty: 25000 Pcs/year and Gate Valve: 2"-48", #150-1500, Qty: 35000 Pcs per year, Globe Valve: 2"-24", #150-2500, Qty: 15000 Pcs per year.

We owe much of our success to the capability, experience and dedication of our employees who unify to achieve quality management, production of high quality products for customer satisfaction and the technological improvement. We are attempting to satisfy the needs of our customers by achieving high quality and reasonable prices for the international society and to contribute to the development of Chinese economies.



CE-0875

DNV-0877

ISO2000:2001

60-0884

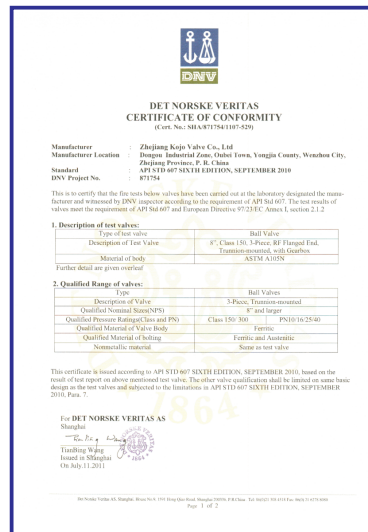
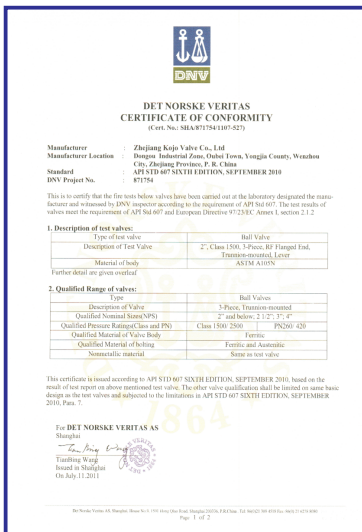
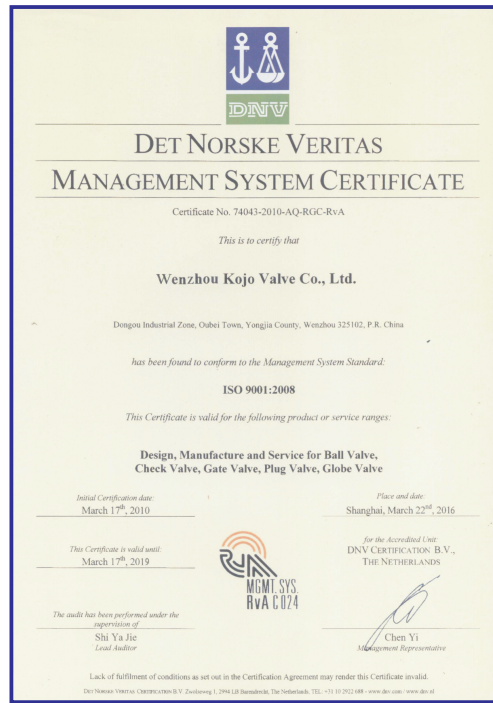
600-0882

602-0014

ISO14001:2004

GB/28001:2004

# CERTIFICATION



# FACTORY VIEW



# PRODUCTS

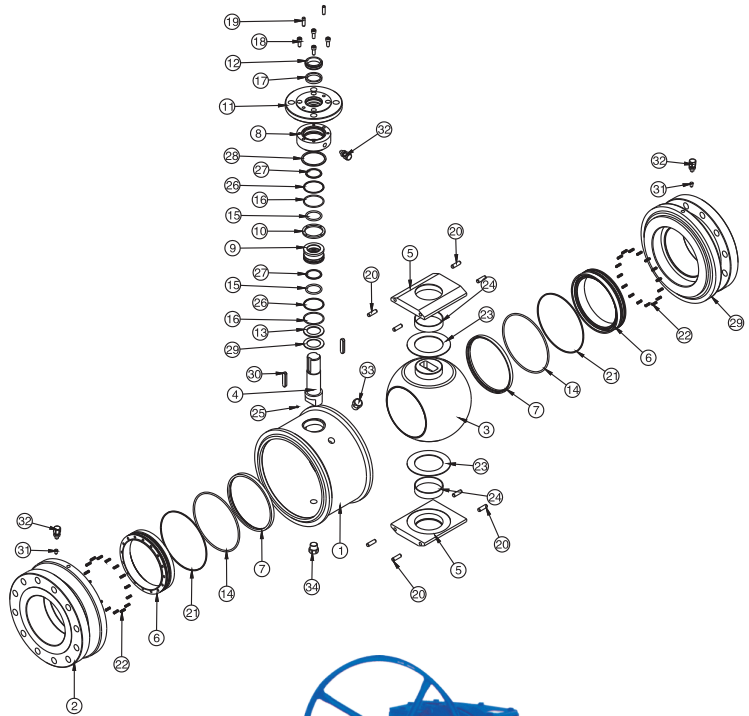


# CONTENTS

KOJO Full Welded Ball Valve.....	01
KOJO Full Welded Ball Valve Main Parts.....	02
KOJO Full Welded Ball Valve Technical Requirement .....	03
Full Welded Ball Valve Dimension ANSI Class150 .....	04
Full Welded Ball Valve Dimension ANSI Class300 .....	05
Full Welded Ball Valve Dimension ANSI Class600 .....	06
Full Welded Ball Valve Dimension ANSI Class900 .....	07
Full Welded Ball Valve Dimension ANSI Class1500 .....	08
Full Welded Ball Valve Dimension ANSI Class2500 .....	09
KOJO Inverted Pressure Balance Lubricated Plug Valve Description .....	10
Inverted Pressure Balance Lubricated Plug Valve Main Parts Materials .....	11
Inverted Pressure Balance Lubricated Plug Valve Dimensions .....	12
KOJO Flange-Cnnection Lifting Plug Valve Description .....	13
Flange-Cnnection Lifting Plug Valve Man Parts Materials.....	14
Flange-Cnnection Lifting Plug Valve Dimensions .....	15
KOJO Sleeve Type Soft Sealing Plug Valve Description .....	16
Sleeve Type Soft Sealing Plug Valve Main Parts Materials and Dimensions .....	17
KOJO Three -Piece Floating Ball Valve Description.....	18
Three -Piece Floating Ball Valve Dimension ANSI Class150 .....	19
Three -Piece Floating Ball Valve Dimension ANSI Class300 .....	20
Three -Piece Floating Ball Valve Dimension ANSI Class600 .....	21
Inspetion Procedure .....	22

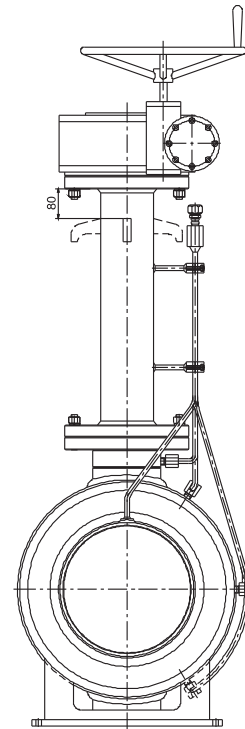
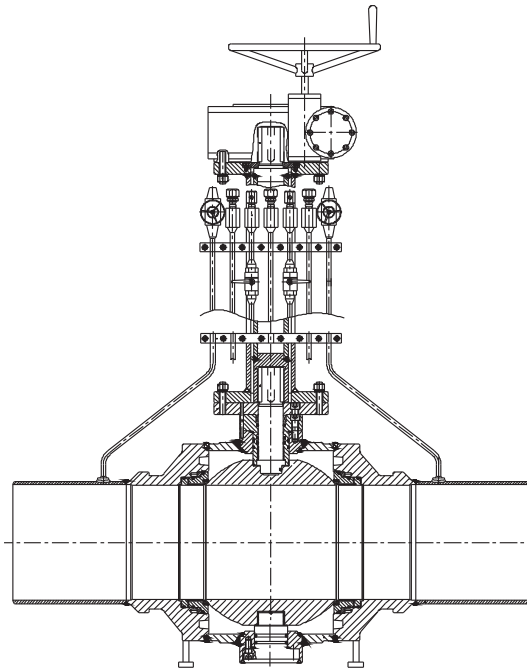
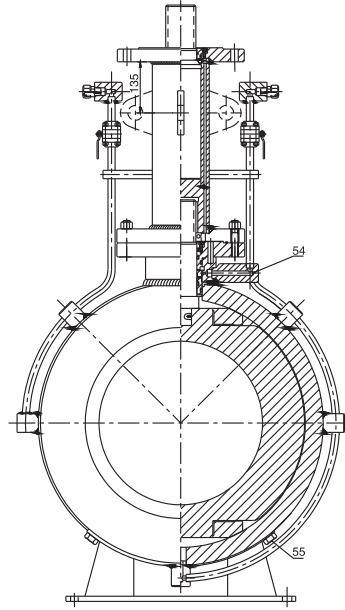
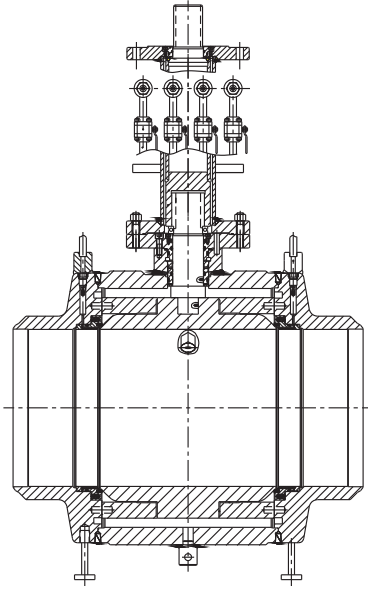


No	Description
1	Body
2	Bonnet
3	Ball
4	Stem
5	Support Plate
6	Seat Retainer
7	Seat
8	Gland
9	Seal Ring
10	Pendant Collet
11	Terminal Areal
12	Packing Gland
13	Sliding Washer
14	“O” Ring
15	“O” Ring
16	“O” Ring
17	Packing
18	Hexagon Screw
19	Pin
20	Pin
21	Anti-fire Washer
22	Spring
23	Sliding bearing
24	Sliding Washer
25	Anti-static Spring
26	Sliding Washer
27	Sliding Washer
28	Anti-fire Washer
29	Sliding Bearing
30	Key
31	Check Valve
32	Seal Retainer
33	Drain Plug
34	Drain Plug



Part Name	A	B	C	D	E	F
Body	A105	A105	A105	F304	F316	LF2
Seat Retainer	A105+ENP	F304	F316	F304	F316	LF2+ENP
Ball	A105+ENP	F304	F316	F304	F316	LF2+ENP
Stem	A105+ENP	F304	F316	F304	F316	LF2+ENP
Spring	17-7PH/INCONEL					
Seat	PTFE/PPL/NYLON/DEVLON					
“O”Ring	VITON					
Packing	GRAPHITE/PTFE					
Anti-fire Gasket	304+GRAPHITE					

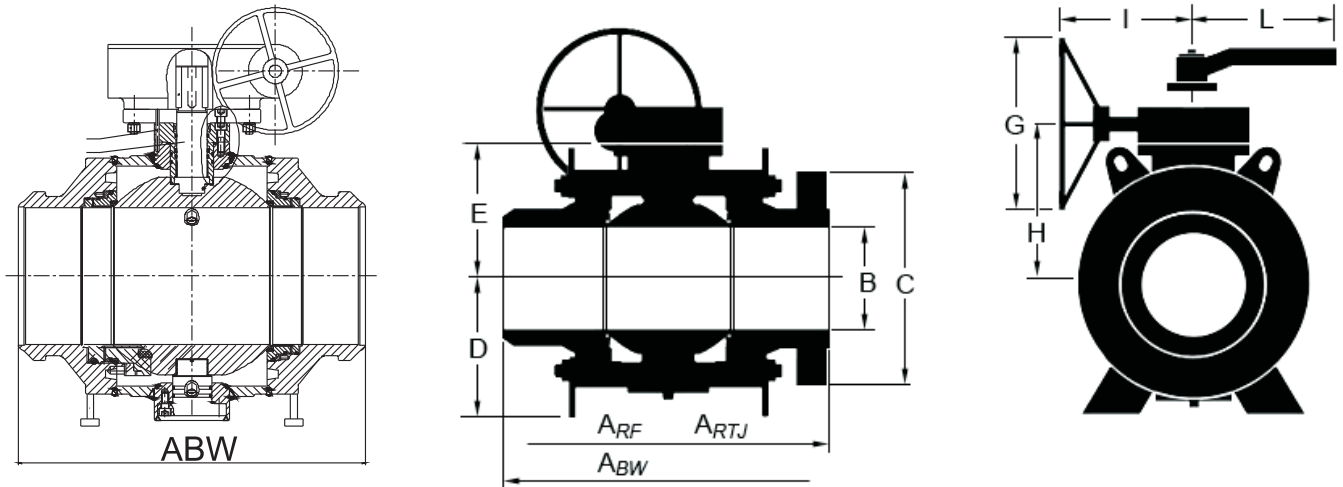




#### Technical Re quirements

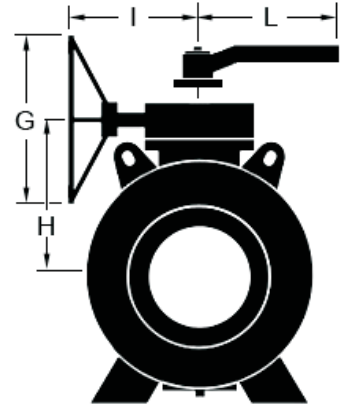
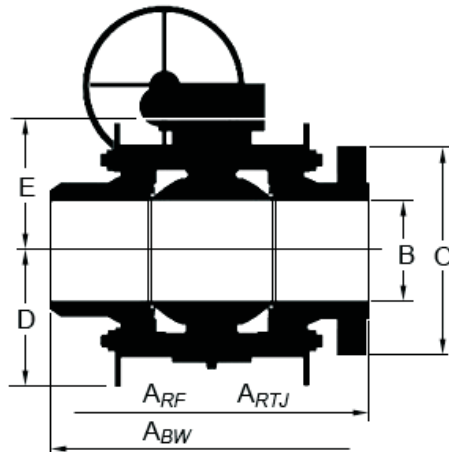
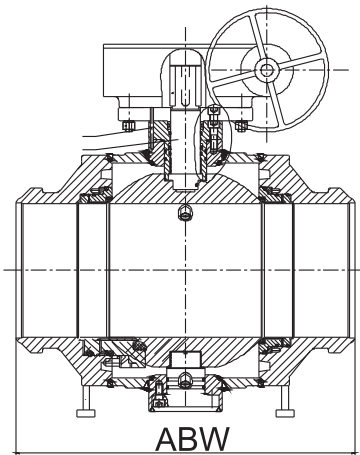
1. Design and manufacture per API6D.
2. Valve checkup and test per API598.
3. Valve structural length per GB/T12221–2005.
4. Connection dimension per GB/T12224–2005.
5. Basis of pressure–temperature differential per ASME16.34.
6. Valve mark per GB/T12220.
7. Valve anti–vulcanization per NACE MR 0175.

## KOJO Ball Valve 2 " –48 " Class150



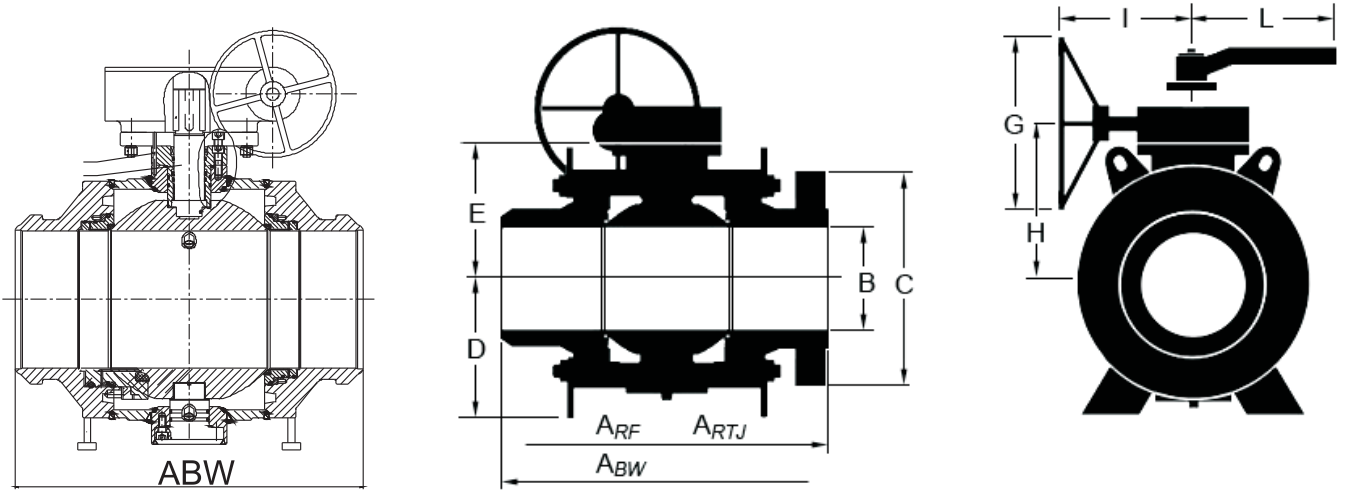
Size (inch)	ARF	ARTJ	ABW	B	C	D	E	G	H	I	L	Weight (Kg)		
												FL	BW	
mm														
2	178	191	216	51	152	112	108	-	-	-	220	20	17	
3	203	216	283	76	191	136	153	-	-	-	380	37	34	
4	229	241	305	102	229	151	190	200	227	230	450	60	55	
6	394	406	457	152	279	183	230	400	269	327		165	155	
8	457	470	521	203	343	261	269	400	308	327		330	310	
10	533	546	559	254	406	325	308	500	372	360		554	527	
12	610	622	635	305	483	375	355	600	419	418		803	748	
14	686	698	762	337	535	382	383	700	451	575		950	900	
16	762	775	838	387	595	400	428	700	496	575		1385	1320	
18	864	876	914	438	635	486	481	700	560	575		1900	1800	
20	914	927	991	489	700	500	517	700	596	575		2265	2160	
24	1067	1079	1143	591	815	579	595	700	682	579		3700	3590	
30	1295	-	1397	737	984	710	751	700	901	670		5900	5790	
36	1524	-	1727	876	1168	810	864	700	1014	670		9400	9300	
40	1753	-	1956	978		880		750	1061					
42	1855	-	2083	1022		920		1000	1093					
48	2134	-	2388	1168		980		1000	1217					

# KOJO Ball Valve 2 " –48 " Class300



Size (inch)	ARF	ARTJ	ABW	B	C	D	E	G	H	I	L	Weight (Kg)	
	mm											FL	BW
2	216	232	216	51	165	112	108	-	-	-	220	25	20
3	283	298	283	76	210	136	153	-	-	-	380	46	38
4	305	321	305	102	254	151	190	200	227	230	450	88	75
6	403	419	457	152	318	183	230	400	269	327		184	160
8	502	517	521	203	381	290	272	500	327	360		368	320
10	568	584	559	254	445	340	323	500	387	360		590	510
12	648	664	635	305	520	404	363	600	427	418		876	805
14	762	778	762	337	585	376	388	700	456	575		1170	1060
16	838	854	838	387	650	416	431	700	499	575		1496	1230
18	914	930	914	438	710	487	490	700	569	575		2230	1960
20	991	1010	991	489	775	466	515	700	602	579		2670	2370
24	1143	1165	1143	591	915	596	603	700	721	670		4300	3800
30	1397	1422	1397	737	1092	715	756	700	906	670		6700	5960
36	1727	1756	1727	876	1270	815	869	700	1019	690		9800	8900
40	1956	-	1956	978		880		750	1061				
42	2083	-	2083	1022		920		1000	1093				
48	2170	-	2388	1168		980		1000	1217				

## KOJO Ball Valve 2 " –48" Class600

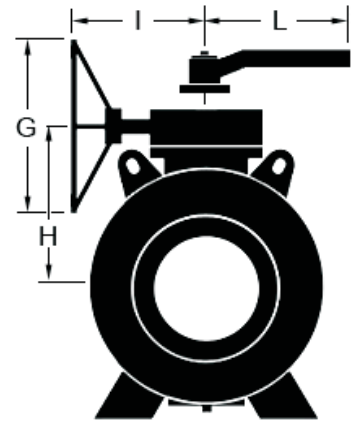
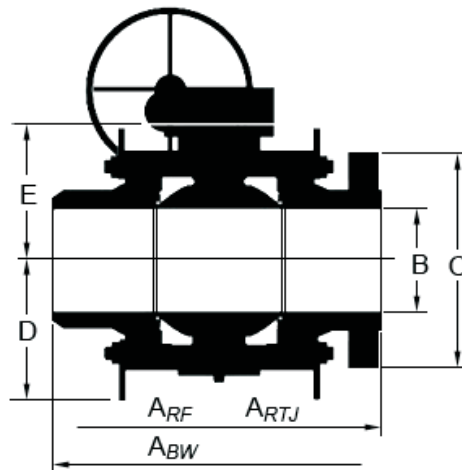
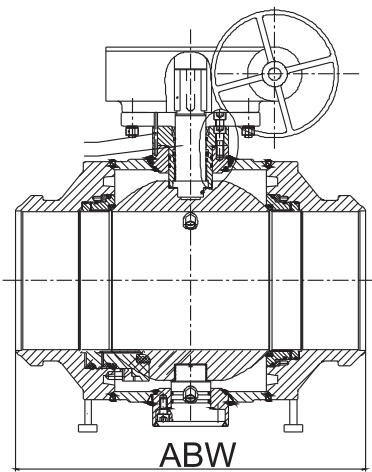


Size (inch)	A <sub>RF</sub>	A <sub>RTJ</sub>	A <sub>BW</sub>	B	C	D	E	G	H	I	L	Weight (Kg)	
	mm											FL	BW
2	292	295	292	51	165	98	155	-	-	-	575	38	30
3	356	359	356	76	210	123	166	200	203	230	700	76	65
4	432	435	432	102	273	149	197	400	236	327	850	130	105
6	559	562	559	152	356	183	230	400	269	327		267	210
8	660	664	660	203	419	284	274	600	326	377		474	410
10	787	791	787	254	510	360	329	600	393	418		810	660
12	838	841	838	305	560	362	378	700	446	545		1267	1050
14	889	892	889	337	605	394	391	700	470	575		1370	1190
16	991	994	991	387	685	395	435	700	514	575		1918	1640
18	1092	1095	1092	438	745	499	496	700	583	579		2820	2460
20	1194	1200	1194	489	815	544	541	700	659	670		3750	3300
24	1397	1406	1397	591	940	596	604	700	754	690		6250	5760
30	1651	1664	1651	737	1130	744	766	700	916	690		9100	8300
36	2083	2099	2083	876	1314	850	889	700	1039	830		12900	11500
40	2337	2337	2337	978		936		1000		1112			
42	2437	2437	2437	1022		977		1000		1354			
48	2540	2540	2540	1168		1113		1000		1555			



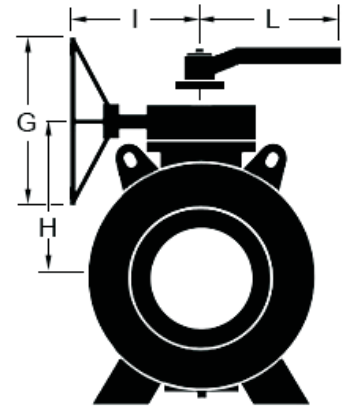
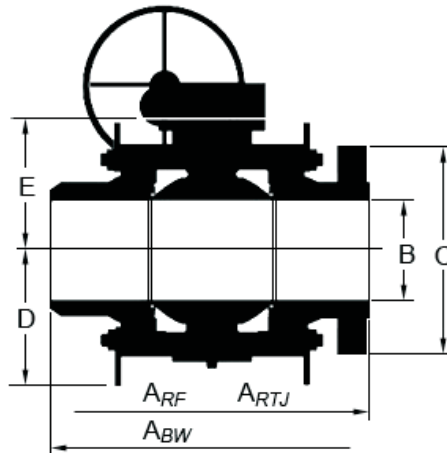
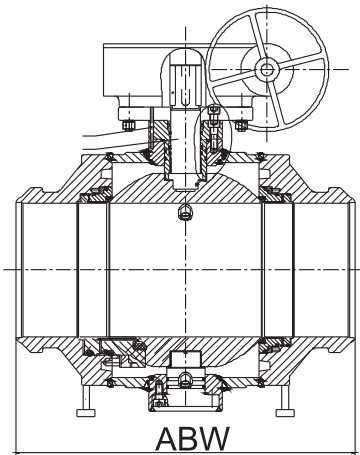
**FULL WELDED BALL VALVE SERIES**

**KOJO Ball Valve 2"-24" Class900**



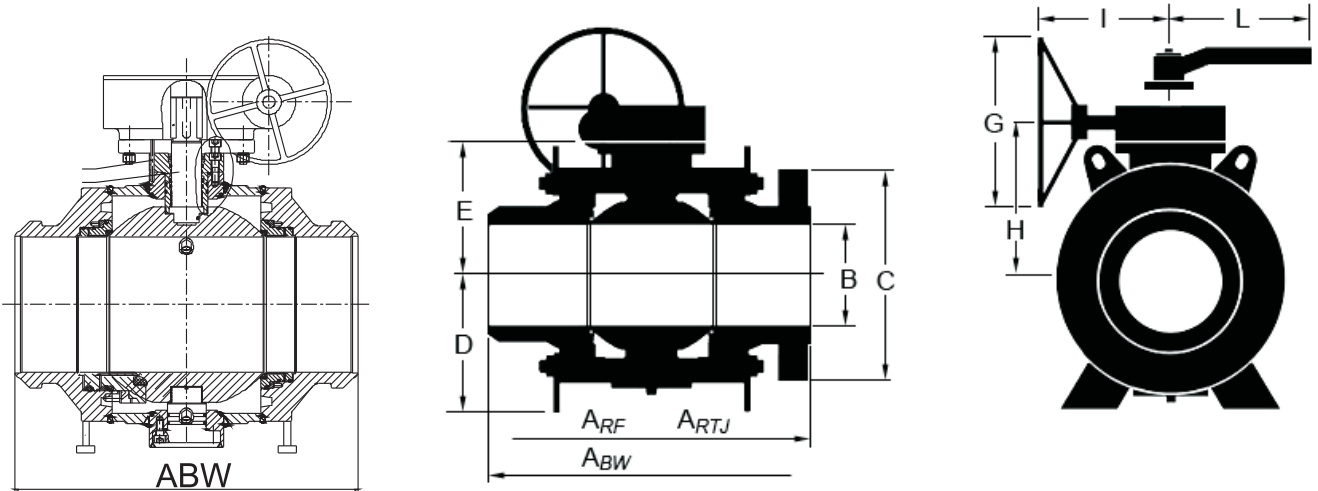
Size (inch)	A <sub>RF</sub>	A <sub>RTJ</sub>	A <sub>BW</sub>	B	C	D	E	G	H	I	L	Weight (Kg)	
	mm											FL	BW
2	368	371	368	51X51	216	109	149	200	186	230	575	52	34
3	381	384	381	76X76	241	139	179	200	216	230	700	98	70
4	457	460	457	102X102	292	163	216	400	255	327	850	175	125
6	610	613	610	152X152	381	180	255	600	307	377		355	260
8	737	740	737	203X203	470	307	296	700	360	545		630	490
10	838	841	838	254X254	545	356	342	700	410	575		970	750
12	965	968	965	305X305	610	391	410	700	489	575		1390	1100
14	1029	1038	1029	324X324	641	408	395	700	474	575		1650	1300
16	1130	1140	1130	375X375	705	465	453	700	540	579		2300	1830
18	1219	1232	1219	425X425	787	510	513	700	631	670		3900	3120
20	1321	1333	1321	473X473	855	560	551	700	660	670		5100	4080
24	1549	1568	1549	572X572	1041	620	630	700	780	690		7800	5950

## KOJO Ball Valve 2"-16" Class1500



Size (inch)	A <sub>RF</sub>	A <sub>RTJ</sub>	A <sub>BW</sub>	B	C	D	E	G	H	I	L	Weight (Kg)	
	mm											FL	BW
2	368	372	368	51X51	216	129	178	200	215	230	575	77	50
3	470	473	470	76X76	267	175	219	400	258	327		175	135
4	546	549	546	102X102	311	187	235	500	290	360		282	190
6	705	711	705	146X146	394	210	288	700	340	545		580	440
8	832	841	832	194X194	483	349	347	700	417	575		1055	740
10	991	1000	991	241X241	584	374	397	700	476	575		1350	1000
12	1130	1146	1130	289X289	673	400	480	700	559	575		2830	1960
14	1257	1276	1257	317X317	750	420	480	700	598	670		3350	2800
16	1384	1406	1384	362X362	826	560	503	700	621	670		4500	3800

## KOJO Ball Valve 2"-12" Class2500



Size (inch)	ARF	ARTJ	ABW	B	C	D	E	G	H	I	L	Weight (Kg)	
	mm											FL	BW
2	451	454	451	44X44	235	160	175	400	210	327	750	101	90
3	578	584	578	63X63	305	200	220	500	230	360	900	235	215
4	673	683	673	89X89	355	260	265	500	280	360		410	380
6	914	927	914	133X133	485	295	300	600	315	490		860	820
8	1022	1038	1022	181X181	550	380	410	600	425	490		1475	1440
10	1270	1292	1270	226X226	675	450	485	600	500	585		2205	2155
12	1422	1445	1422	267X267	760	490	535	600	550	585		3320	3260

**美标压力平衡式倒装油密封旋塞阀**  
**INVERTED PRESSURE BALANCE LUBRICATED**  
**PLUG VALVE ACC. TO ANSI**



**产品结构特点**

**PRODUCT STRUCTURAL FEATURES**

美标压力平衡式倒装油密封旋塞阀使用于公称压力 CLASS150~1500LBS，工作温度-29~80℃的石油、化工、制药、化肥、电力行业等各种工况的管路上，切断或接通管路介质。

Inverted pressure balance lubricated plug valve acc.to ANSI is applicable to the cutting and connection of pipelines medium , in various industries such as petroleum, chemical industry, pharmacy, chemical fertilizer, electric power industry etc under nominal pressure of CLASS150-1500LBS and working temperature of -29-80℃。

**其主要结构特点**

**MAIN STRUCTURAL FEATURES**

- 1/ 产品结构合理、密封可靠、性能优良、造型美观；
  - 2/ 倒装压力平衡的结构，开关动作轻；
  - 3/ 阀体和密封面间设有油槽，可随时通过油嘴向阀座注入密封油脂，增加密封性能；
  - 4/ 零件材质及法兰尺寸可根据实际工况或用户要求合理选配，满足各种工程需要。
- 1/ It has logical structure, reliable seal, excellent performance and nice design.
  - 2/ It has the structure of flip-chip balanceable pressure and light on/off operation.
  - 3/ An oil groove is set between valve body and seal surface, which may infuse the seal grease to increase the seal capability.
  - 4/ The part material and flange dimension may be selected according to current operating condition or user's requirement, so as to meet the requirements of various engineering.

**技术规范**

**TECHNICAL SPECIFICATION**

结构形式 Structural formation	BC
驱动方式 Driving manner	手动 Hand-operated
	电动 Electric-actuated
设计标准 Design standard	API599、API6D
结构长度 Face to face	ASME B16.10
连接法兰 Fange ends	ASME B16.5
试验和检验 Test & inspection	API598.API 6D

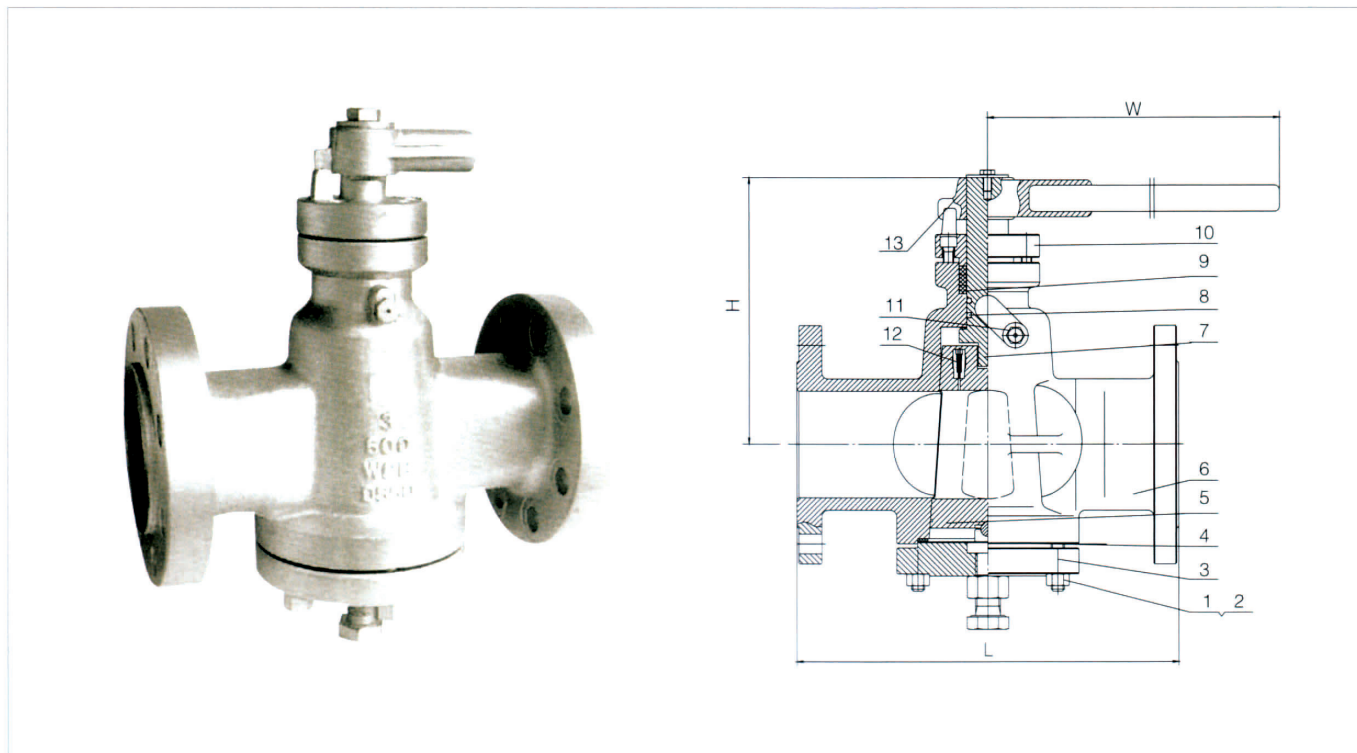
**产品性能规范**

**PRODUCTS PERFORMANCE SPECIFICATION**

公称压力(LB) Nominal pressure	壳体试验压力(MPa) Shell test	密封试验压力(MPa) Sealing test	适用温度(°C) Suitable temp.	使用介质 Suitable medium
150	3.0	2.2	≤80℃	水、蒸汽、油品等 Water oil & gas
300	7.5	5.5		
600	15.0	11.0		
900	22.5	16.5		



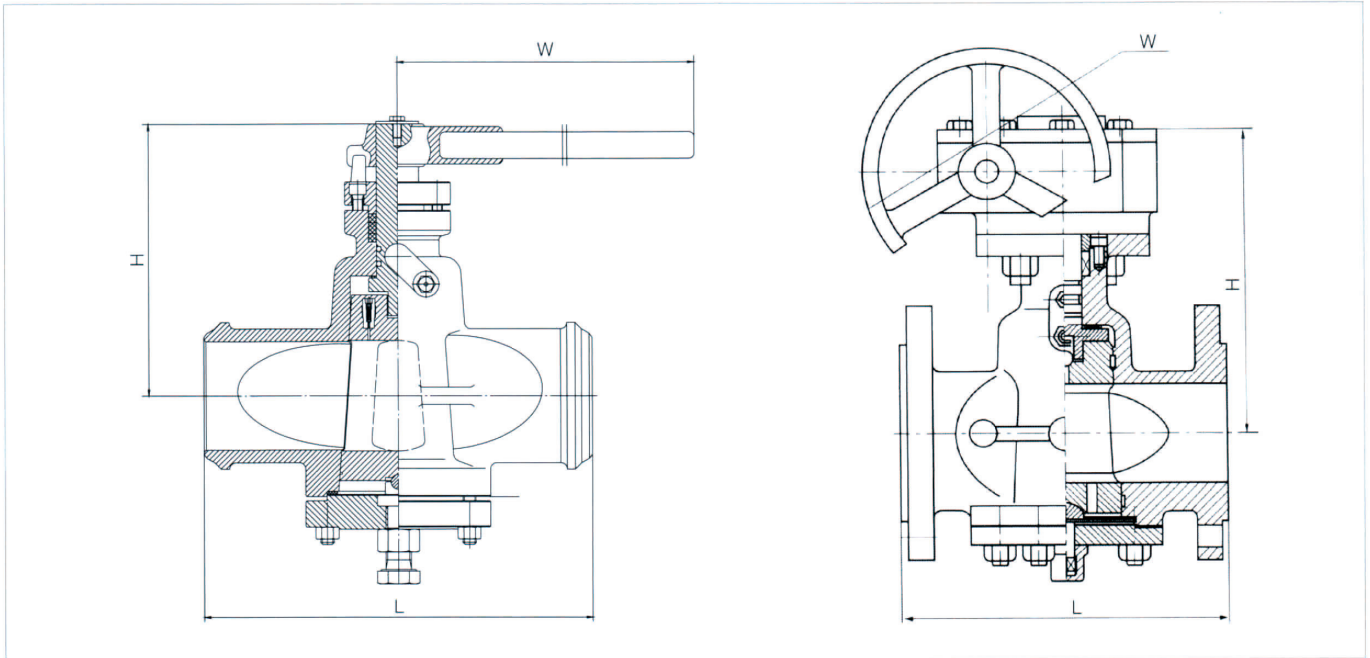
**美标压力平衡式倒装油密封旋塞阀**  
**INVERTED PRESSURE BALANCE LUBRICATED**  
**PLUG VALVE ACC. TO ANSI**



**主要零部件材质**  
**MAIN PARTS MATERIALS**

序号NO.	名称 Part name	材质 Material
1	双头螺栓 Bolt	ASTMA193-B7、A320-B8、A193-B8M
2	六角螺母 Nut	ASTMA194-2H、A194-8、A194-8M
3	阀盖 Cover	ASTM A216-WCB、ASTM A217-WC1、WC6、WC9、C5 ASTM A516-B70、CF8M、CF3、CF3M
4	垫片 Gasket	柔性石墨+不锈钢 Flexible graphite+stainless steel、PTFE
5	塞子 Plug	ASTM A216-WCB、WCC、ASTM A182-F22 ASTM A182-F304、F316、F321、F304L、F316L
6	阀体 Body	ASTM A216-WCB、WCC、ASTM A217-WC1、WC6、WC9、C5 ASTM A351-CF8、CF8M、CF3、CF3M
7	阀杆 Stem	ASTM A182-Gr.F6a ASTM A182-F22 ASTM A182-F304、F316、F321、F304L、F316L
8	“O”型圈 “O” ring	丁腈橡胶 NBR
9	填料 Packing	柔性石墨+不锈钢 Flexible graphite、PTFE
10	填料压盖 Gland	ASTM A216-WCB、ASTM A217-WC1、WC6、WC9、C5 ASTM A351-CF8、CF8M、CF3、CF3M
11	加油嘴 Oil nozzle	
12	止回阀 Check valve	
13	手柄 Wrench	ASTM A47-32510、A216WCB

**美标压力平衡式倒装油密封旋塞阀**  
**INVERTED PRESSURE BALANCE LUBRICATED**  
**PLUG VALVE ACC. TO ANSI**



型号Model		AX47-150LB															
口径 Size	mm	15	20	25	32	40	50	65	80	100	125	150	200	250	300	350	
	in	1/2	3/4	1	1 1/4	1 1/2	2	2 1/2	3	4	5	6	8	10	12	14	
L		108	117	127	140	165	178	190	203	229	254	267	292	330	356	381	
H		180	180	185	200	214	215	250	270	300	340	365	400	450	510	590	
W		400	400	500	500	600	600	820	820	300	300	320	320	350	380	380	
重量(Kg)Weight		10	12	14	17	19	21	29	33	48	75	98	98	171	230	370	
型号Model		AX47-300LB															
口径 Size	mm	15	20	25	32	40	50	65	80	100	125	150	200	250	300	350	
	in	1/2	3/4	1	1 1/4	1 1/2	2	2 1/2	3	4	5	6	8	10	12	14	
L		140	152	165	178	190	216	241	283	305	381	403	419	457	502	762	
H		180	180	185	200	210	215	250	270	300	340	365	400	450	510	590	
W		400	400	500	600	600	820	1000	1000	300	300	320	320	350	380	380	
重量(Kg)Weight		12	14	16	19	21	24	31	36	61	86	130	190	255	380	560	
型号Model		AX47-600LB															
口径 Size	mm	15	20	25	32	40	50	65	80	100	125	150	200	250	300	350	
	in	1/2	3/4	1	1 1/4	1 1/2	2	2 1/2	3	4	5	6	8	10	12	14	
L		165	190	216	229	241	292	330	356	432	508	559	660	787	838	889	
H		180	180	185	200	210	215	250	270	300	340	365	400	450	510	590	
W		400	400	500	500	600	600	820	820	300	300	320	320	350	380	380	
重量(Kg)Weight		14	16	18	20	24	29	35	47	91	129	210	320	660	920	1250	
型号Model		AX47-900LB															
口径 Size	mm	15	20	25	32	40	50	65	80	100	125	150	200	250	300	350	
	in	1/2	3/4	1	1 1/4	1 1/2	2	2 1/2	3	4	5	6	8	10	12	14	
L		229	229	254	279	305	368	419	381	457	559	610	737	838	965	1029	
H		180	180	185	200	210	215	250	270	300	340	365	400	450	510	590	
W		400	400	500	600	600	820	1000	1000	300	300	320	320	350	380	380	
重量(Kg)Weight		17	29	21	24	30	37	44	65	110	160	255	380	810	1050	1460	

**法兰连接美标提升式硬密封旋塞阀**  
**FLANGE-CONNECTION LIFTING PLUG**  
**VALVE ACC. TO ANSI**



**产品结构特点**

**PRODUCT STRUCTURAL FEATURES**

法兰连接美标提升式硬密封旋塞阀适用于公称压力CLASS150~1500LBS，工作温度-29~550℃的石油、化工、制药、化肥、电力行业等各种工况的管路上，切断或接通管路介质。

Flange-connection lifting plug valve acc. to ANSI is applicable to the cutting and connection of pipelines medium, in various industries such as petroleum, chemical industry, pharmacy, chemical fertilizer, power industry etc under nominal pressure of CLASS150~1500LBS, and working temperature of -29~550℃.

**其主要结构特点**

**MAIN STRUCTURAL FEATURES**

- 1/ 产品结构合理、密封可靠、性能优良、造型美观；
  - 2/ 阀门的启闭过程是在密封面脱离的状态下进行的，不会造成密封面的磨损。
  - 3/ 双向流动，安装使用更方便。
  - 4/ 零件材质及法兰尺寸可根据实际工况或用户要求合理选配，满足各种工程需要。
- 1/ The product has reasonable structure, reliable sealing, excellent performance and beautiful appearance.
  - 2/ Opening and closing of the valve is carried out while the sealed surface is breakaway, so it will not cause abrasion on the sealed surface.
  - 3/ Its characteristic double-direction flow makes installation and use more convenient.
  - 4/ The materials of the parts and sizes of flanges can be reasonably configured according to the actual operation condition or the requirements of the customers, so as to meet the various needs of engineering.

**技术规范**

**TECHNICAL SPECIFICATION**

结构形式 Structural formation	BC
驱动方式 Driving manner	BB-BG-OS&Y
	手柄、伞齿轮、手柄 Handwheel、bevel gear wrench
设计标准 Design standard	API599, API6D
结构长度 Face to face	ASME B16.10
连接法兰 Flange ends	ASME B16.5
试验和检验 Test & inspection	API598,API6D

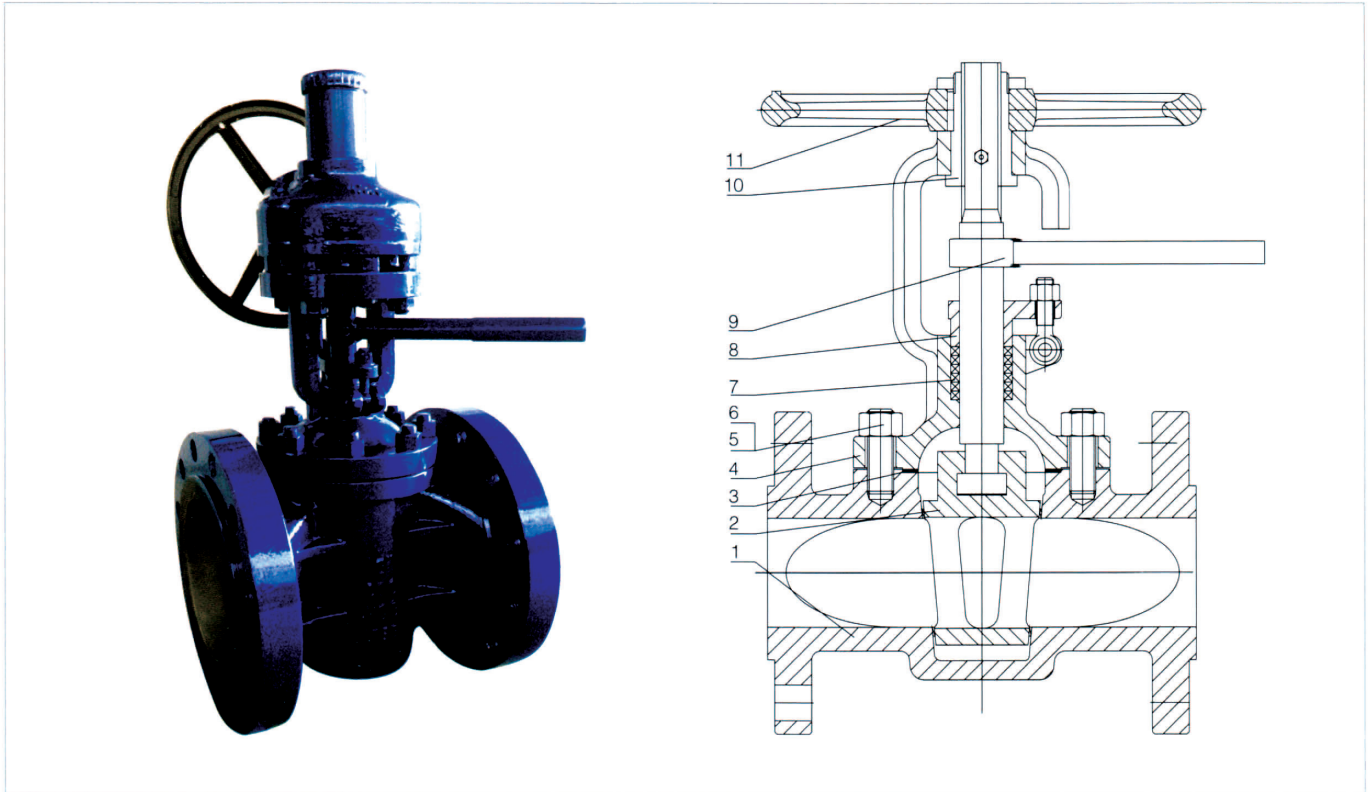
注：阀门连接法兰尺寸可根据用户要求设计制造。  
 Note: the size of valve connecting flange can be designed according to customers' requirement.

**产品性能规范**

**PRODUCTS PERFORMANCE SPECIFICATION**

公称压力(LB) Nominal pressure	壳体试验压力(MPa) Shell test	密封试验压力(MPa) Sealing test	适用温度(℃) Suitable temp.	使用介质 Suitable medium
150	3.0	2.2	≤550℃	水、蒸汽、油品等 Water oil & gas
300	7.5	5.5		
600	15.0	11.0		
900	22.5	16.5		
1500	37.5	27.5		

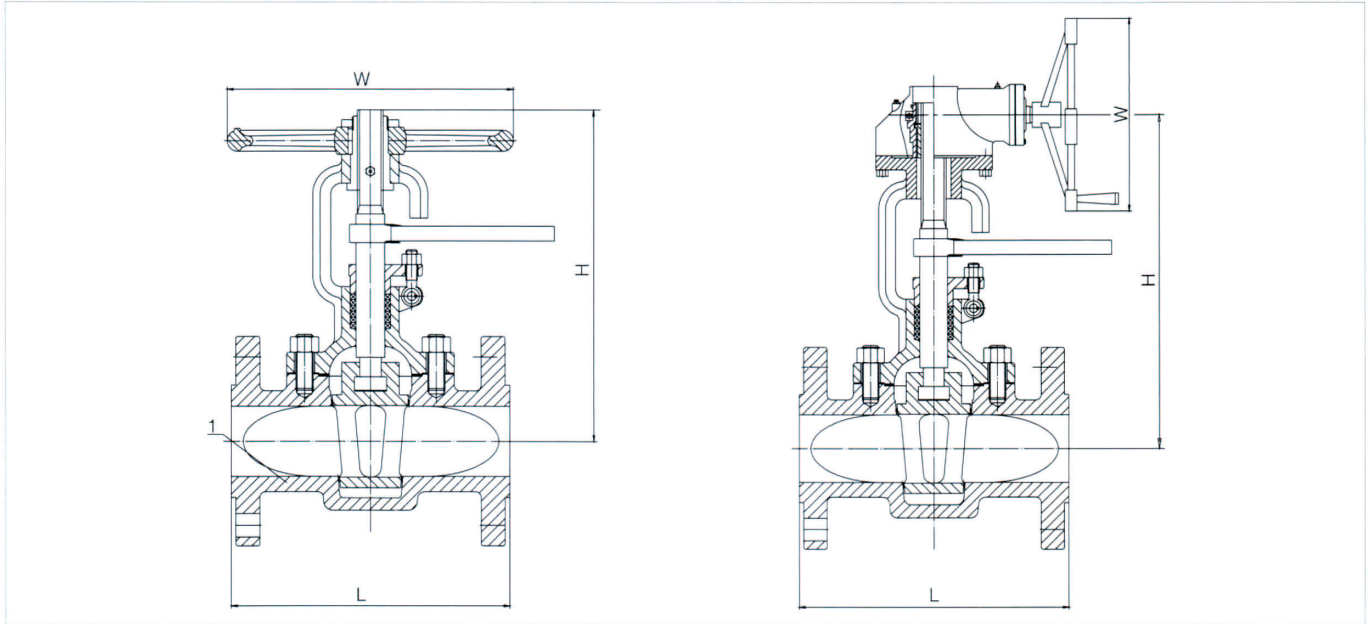
**法兰连接美标提升式硬密封旋塞阀**  
**FLANGE-CONNECTION LIFTING PLUG VALVE ACC. TO ANSI**



**主要零部件材质**  
**MAIN PARTS MATERIALS**

序号NO.	名称 Part name	材质 Material
1	阀体 Body	ASTM A216-WCB,WCC, ASTM A217-WC1,WC6,WC9,C5 ASTM A351-CF8,CF8M,CF3,CF3M
2	塞子 Plug	ASTM A216-WCB,WCC, ASTM A182-F22 ASTM A182-F304,F316,F321,F304L,F316L
3	垫片 Gasket	柔性石墨+不锈钢 Flexible graphite+stainless steel、PTFE
4	阀盖 Cover	ASTM A216-WCB,ASTM A217-WC1,WC6,WC9,C5 ASTM A516-B70,CF8M,CF3,CF3M
5	螺栓 Bolt	ASTMA193-B7,A320-B8,A193-B8M
6	六角螺母 Nut	ASTMA194-2H,A194-8,A194-8M
7	填料 Packing	柔性石墨 Flexible graphite、PTFE
8	填料压盖 Gland	ASTM A216-WCB,ASTM A217-WC1,WC6,WC9,C5 ASTM A351-CF8,CF8M,CF3,CF3M
9	手柄 Wrench	ASTM A216-WCB ASTM A351-CF8,CF8M,CF3,CF3M
10	阀杆螺母 Yoke nut	铜合金 ZQA19-4
11	手轮 Hand wheel	ASTM A536 Gr.60-40-18 ASTM A216-WCB

**法兰连接美标提升式硬密封旋塞阀**  
**FLANGE-CONNECTION LIFTING PLUG VALVE ACC. TO ANSI**



型号Model		AX47-150LB														
口径 Size	mm	15	20	25	32	40	50	65	80	100	125	150	200	250	300	350
	in	1/2	3/4	1	1 1/4	1 1/2	2	2 1/2	3	4	5	6	8	10	12	14
L		108	117	127	140	165	178	190	203	229	254	267	292	330	356	381
H		190	195	225	260	280	310	340	395	435	470	535	590	630	680	720
W		280	280	280	300	300	300	300	300	300	340	400	450	450	500	500
重量(Kg)Weight		9	10	11	17	19	23	25	32	55	82	98	130	178	250	380
型号Model		AX43-300LB														
口径 Size	mm	15	20	25	32	40	50	65	80	100	125	150	200	250	300	350
	in	1/2	3/4	1	1 1/4	1 1/2	2	2 1/2	3	4	5	6	8	10	12	14
L		140	152	165	178	190	216	241	283	305	381	403	419	457	502	762
H		190	195	225	260	280	310	340	395	435	470	535	590	630	680	720
W		280	280	280	300	300	300	300	300	300	340	400	450	450	500	500
重量(Kg)Weight		10	12	14	19	21	28	34	39	75	95	135	200	255	415	650
型号Model		AX43-600LB														
口径 Size	mm	15	20	25	32	40	50	65	80	100	125	150	200	250	300	350
	in	1/2	3/4	1	1 1/4	1 1/2	2	2 1/2	3	4	5	6	8	10	12	14
L		165	190	216	229	241	292	330	356	432	508	559	660	787	838	889
H		190	195	225	260	280	310	340	395	435	470	535	590	630	680	720
W		280	280	280	300	300	300	300	300	300	340	400	450	450	500	500
重量(Kg)Weight		13	14	19	23	25	32	40	55	105	139	300	440	730	1150	1570
型号Model		AX43-900LB														
口径 Size	mm	15	20	25	32	40	50	65	80	100	125	150	200	250	300	350
	in	1/2	3/4	1	1 1/4	1 1/2	2	2 1/2	3	4	5	6	8	10	12	14
L		229	229	254	279	305	368	419	381	457	559	610	737	838	965	1029
H		190	195	225	260	280	310	340	395	435	470	535	590	630	680	720
W		280	280	280	300	300	300	300	300	300	340	400	450	450	500	500
重量(Kg)Weight		16	17	26	30	33	39	50	70	137	181	397	590	860	1470	1880

**美标卡套软密封旋塞阀**  
**SLEEVE TYPE SOFT SEALING PLUG**  
**VALVE ACC. TO ANSI**



**产品结构特点**

**PRODUCT STRUCTURAL FEATURES**

美标卡套式软密封旋塞阀适用于公称压力CLASS150~300LBS，工作温度-29°C~180°C的石油、化工、制药、化肥、电力行业等各种工况的管路上，切断或接通管路介质。

Sleeve type soft sealing plug valve acc.to ANSI is applicable to the cutting and connection of pipelines medium in various industries such as petroleum, chemical industry, pharmacy, chemical fertilizer, power industry etc, under nominal pressure of CLASS150~300LBS,and working temperature of -29~180°C.

**其主要结构特点**

**MAIN STRUCTURAL FEATURES**

- 1/ 产品结构合理、密封可靠、性能优良、造型美观；
  - 2/ 它的密封性是通过卡套四周的密封面来实现的。独特的360° 金属唇边保证固定卡套。
  - 3/ 阀门没有空腔给介质积聚。
  - 4/ 金属唇边在旋塞转时提供自洁的作用，适合于粘稠和易结垢的工况。
  - 5/双向流动，安装使用更方便。
  - 6/ 零件材质及法兰尺寸可根据实际工况或用户要求合理选配，满足各种工程需要。
- 1/ The product has reasonable structure, reliable sealing, excellent performance and beautiful appearance.
  - 2/ Its sealing is realized by the sealing face of the sleeve. It has particular 360 degrees metal edge for protection and fixing of the sleeve.
  - 3/ There is no cavity in the valve for accumulation of medium.
  - 4/ Metal edge provides the function of self-cleaning when the plug is rotated, applicable to the operation condition that is glutinous and easy to scale.
  - 5/ Its characteristic double-direction flow makes installation and use more convenient.
  - 6/ The materials of the parts and sizes of flanges can be reasonably configured according to the actual operation condition of the requirements of the customers, so as to meet the various needs of engineering.

**技术规范**

**TECHNICAL SPECIFICATION**

结构形式 Structural formation	BC
驱动方式 Driving manner	手柄、蜗轮蜗杆传动、气动、电动 Wrench wheel, worm & worm gear, pneumatic, electric-actuated
设计标准 Design standard	API599, API6D
结构长度 Face to face	ASME B16.10
连接法兰 Flange ends	ASME B16.5
试验和检验 Test & inspection	API598,API6D

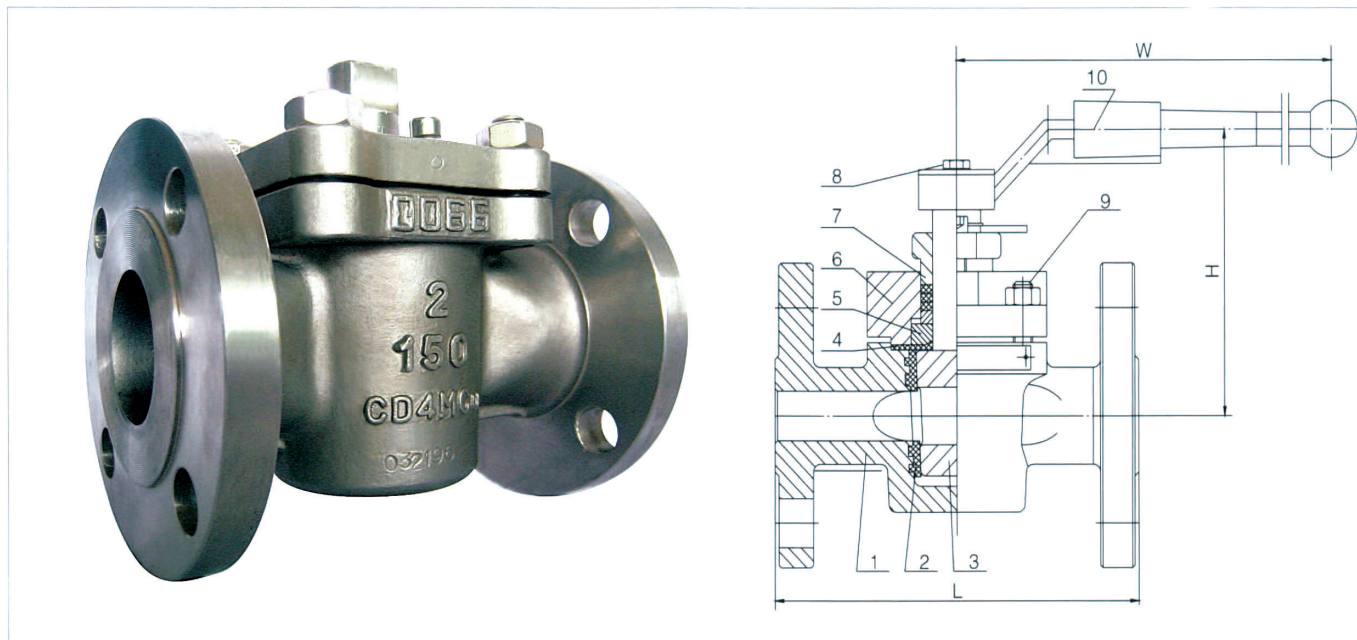
注：阀门连接法兰尺寸可根据用户要求设计制造。  
 Note: the size of valve connecting flange can be designed according to customers' requirement.

**产品性能规范**

**PRODUCTS PERFORMANCE SPECIFICATION**

公称压力(LB) Nominal pressure	壳体试验压力(MPa) Shell test	密封试验压力(MPa) Sealing test	适用温度(°C) Suitable temp.	使用介质 Suitable medium
150	3.0	2.2	≤ 180°C	水、蒸汽、油品等 Water oil & gas
300	7.5	5.5		
600	15.0	11.0		
900	22.5	16.5		

**美标卡套软密封旋塞阀**  
**SLEEVE TYPE SOFT SEALING PLUG**  
**VALVE ACC. TO ANSI**



**主要零部件材质**

**MAIN PARTS MATERIALS**

序号NO.	名称 Part name	材质 Material
1	阀体 Body	ASTM A216-WCB, WCC, ASTM A217-WC1, WC6, WC9, C5 ASTM A351-CF8, CF8M, CF3, CF3M
2	卡套 Sleeve	PTFE
3	塞子 Plug	ASTM A216-WCB, WCC, ASTM A182-F22 ASTM A182-F304, F316, F321, F304L, F316L
4	垫片 Gasket	柔性石墨+不锈钢 Flexible graphite+stainless steel、PTFE
5	调整垫 Adjusting gasket	ASTM A182-Gr.F6a ASTM A182-F22 ASTM A182-F304, F316, F321, F304L, F316L
6	阀盖 Cover	ASTM A216-WCB, ASTM A217-WC1, WC6, WC9, C5 ASTM A516-B70, CF8M, CF3, CF3M
7	填料压盖 Gland	ASME A216-WCB ASME A217-WC1 WC6 Wc9, C5 ASME A351 CF8, CF8M, CF3, CF3M
8	六角螺母 Nut	ASTMA194-2H, A194-8, A194-8M
9	螺栓 Bolt	ASTMA193-B7, A320-B8, A193-B8M
10	手柄 Wrench	ASTM A216 WCB

型号 Model		AX43-150LB														
口径 Size	mm	15	20	25	32	40	50	65	80	100	125	150	200	250	300	350
	in	1/2	3/4	1	1 1/4	1 1/2	2	2 1/2	3	4	5	6	8	10	12	14
L		108	117	127	140	165	178	190	203	229	254	267	292	330	356	381
H		110	115	115	135	140	150	165	180	380	460	520	580	620	680	760
W		175	175	175	220	280	305	350	405	300	300	320	320	350	380	450



# BALL VALVE, FS, FL

## Design

cast steel ball valve are designed and manufactured to provide maximum service life and dependability. All gate valves are full ported and meet the design requirements of American petroleum Institute Standard API 600 & API 6D, British Standard BS 5351 and generally conform to American Society of Mechanical Engineers Standard ASME B 16.34. Valves are available in a complete range of body/bonnet materials and trims.

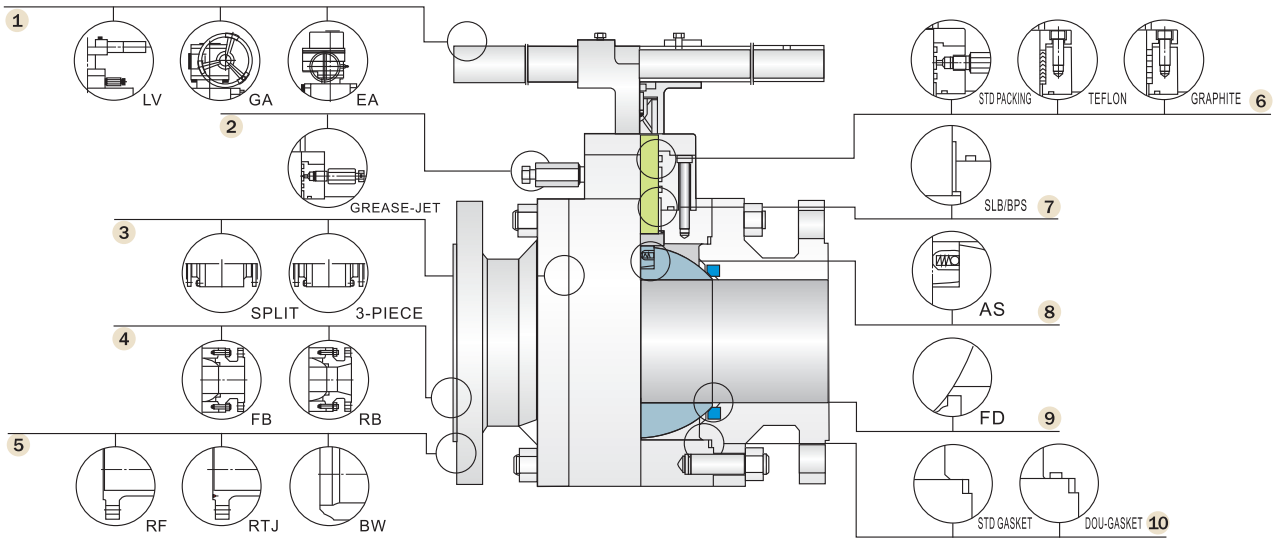
## Rang of Materials

Standard body/bonnet materials include nine grades of carbon, low alloy and stainless steels. For special aplications they can be supplied in other grades of alloy and stainless steel. There ' s a full range of trim materials to match any service. Optional packing and gasket materials are available for a full range of service conditions.

## Available Modifications For Cast Steel Valves

- \* Trim changes
- \* End connection Modifications
- \* Packing and Gasket Changes
- \* Operator Mounting
- \* Handwheel Extensions

- \* Pressure Equalizing
- \* AS or FD
- \* Customer specified Coatings
- \* Weld End Bore Changes
- \* Oxygen & Chlorine Cleaning & Packaging



### 1 Operating

Extended lever for easy operation. Also available with gearing, motor actuators, pneumatic or hydraulic actuators for more difficult services.

### 3 BODY & BONNET

Split or 3-piece, split body & bonnet for 8" & Small. Disassembles easily for repair or replacement of internal components.

### 5 End Connections

A choice of Flanged, RTJ flanged or Butt-welding end for piping flexibility

### 7 SLB

Self-Lubrication Bearing. Non-maintenance, easy operation, low torque and longer life.

### BPS

Blow-out Proof Stem. A pressure-safe stem shoulder design that protects against failure under excess pressure.

### 9 FD

Fire Durable. Designed to API 607 or BS 6755 to grant their operation suitability in case of fire. Secondary metal-to-metal seal acts as backup if primary seal is destroyed by fire. Valves ordered for compliance with API 607 will be provided with graphite packing and gaskets.

### 2 Grease-Jet Joint

Installed in prescriptive part accord with the apply and satisfied with ecumenical situations and realize seal in spot with maintenance easily.

### 4 BORE

Full Bore or Reduced Bore. Full-bore design provides exceptional flow control.

### 6 Packing

STD Packing adopt high-performance rubber seal ring. STD Packing and TEFLON use situation for smooth pressure. With snapping apply high-pressure situation. Graphite packing use situatior for high-temperature.

### 8 AS

Anti Static. A metallic contact is always granted between ball and stem/ body to discharge eventual statics build-up during service.

### 10 GASKET

STD Gasket or Dou-Gasket STD Gasket adopt high-performance rubber seal ring. DOU-Gasket adopt high-performance rubber seal ring and spiral wound graphite.





# FLOATING FORGED STEEL BALL VALVE 150LB

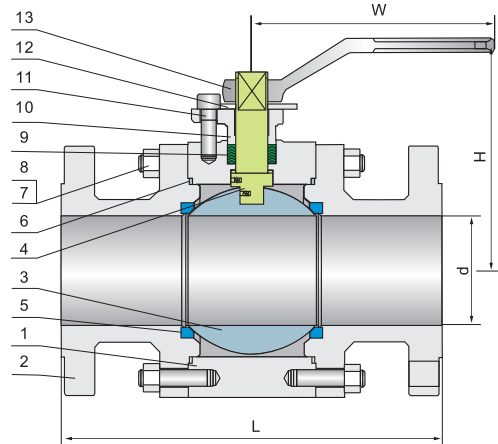
## Three-Piece Floating Ball Valve

### Applicable standards:

STEEL BALL VALVES, API 608/API 6D  
 STEEL BALL VALVES, ISO 10434/ISO 14313  
 FIRE DURABLE, API 607  
 ANTI STATIC, API 608  
 STEEL VALVES, ASME B 16.34  
 FACE TO FACE, ASME B 16.10  
 END FLANGES, ASME B 16.5  
 BUTTWELDING ENDS, ASME B 16.25  
 INSPECTION AND TEST, API 598/API 6D

### Design description:

FULL PORT DESIGN  
 BB, BOLTED BONNET, SPLIT BODY  
 FLOATING BALL TYPE  
 BLOW-OUT PROOF STEM  
 FIRE DURABLE CONSTRUCTION  
 ANTI STATIC DEVICE  
 STOPPER DEVICE  
 ISO5211 MOUNTING PAD  
 FLANGED OR BUTT WELDING ENDS  
 AVAILABLE WITH BG OPERATOR



### Materials of parts

No	Part Name	ASTM Material		
		Carbon Steel	18Cr-9Ni-2Mo	Carbon Steel
1	Body	A105N	A351-CF8M	A352-LCB
2	Bonnet	A105N	A351-CF8M	A352-LCB
3	Ball	A182-F304 <sup>1)</sup>	A182-F316	A182-F304 <sup>1)</sup>
4	Stem	A276-304	A276-316	A276-304
5	Seat Ring	R.PTFE		
6	Bonnet Gasket	Graphite+304 <sup>2)</sup>	PTFE	Graphite+304 <sup>2)</sup>
7	Bonnet Stud	A193-B7	A193-B8	A320-L7
8	Bonnet Stud Nut	A194-2H	A194-8	A194-4
9	Packing	PTFE		
10	Gland	A105	A182-F316	A350-LF2
11	Gland Bolt	A193-B7	A193-B8	A193-B7
12	Stop Plate	Carbon Steel	Carbon Steel+Zn	Carbon Steel
13	Handle	Carbon Steel		



Note: 1). A105+ENP optional  
 2). Spiral wound construction.

### Dimensions data

NPS DN	1/2 15	3/4 20	1 25	1 1/2 40	2 50	2 1/2 40	3 80	4 100	6 150	8 200	10 250	12 300	in mm
<b>ANSI Class150Lb</b>													
L (RF)	4.25 108	4.62 117	5.00 127	6.50 165	7.00 178	7.50 190	8.00 203	9.00 229	15.50 394	18.00 457	21.00 533	24.00 610	in mm
L1 (BW)	5.50 140	6.00 152	6.50 165	7.50 190	8.50 216	9.50 241	11.12 283	12.00 305	18.00 457	20.50 521	22.00 559	25.00 635	in mm
H	2.12 55	2.12 55	2.50 65	3.38 85	4.00 100	6.00 150	7.00 180	9.25 235	9.88 250	11.00 280	12.62 320	15.38 390	in mm
(d)	13	19	25	32	49	62	74	100	150	201	252	303	mm
W	8 200	8 200	12 300	12 300	16 400	16 400	24 600	24 600	24 600	24 600	32 800	32 800	in mm
WT (kg)	3.1 2.6	4.1 3.9	6 5.2	9.5 8.7	12.8 11.8	20 19	26 28	45 47	126 131	216 226	270 295	378 393	RF BW



# FLOATING FORGED STEEL BALL VALVE 300LB

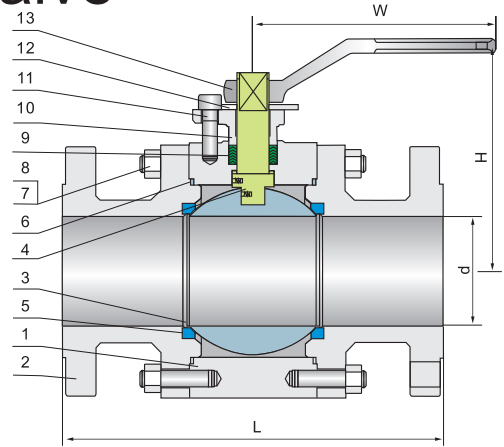
## Three-Piece Floating Ball Valve

### Applicable standards:

STEEL BALL VALVES, API 608/API 6D  
 STEEL BALL VALVES, ISO 10434/ISO 14313  
 FIRE DURABLE, API 607  
 ANTI STATIC, API 608  
 STEEL VALVES, ASME B 16.34  
 FACE TO FACE, ASME B 16.10  
 END FLANGES, ASME B 16.5  
 BUTTWELDING ENDS, ASME B 16.25  
 INSPECTION AND TEST, API 598/API 6D

### Design description:

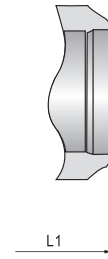
FULL PORT DESIGN  
 BB, BOLTED BONNET, SPLIT BODY  
 FLOATING BALL TYPE  
 BLOW-OUT PROOF STEM  
 FIRE DURABLE CONSTRUCTION  
 ANTI STATIC DEVICE  
 STOPPER DEVICE  
 ISO5211 MOUNTING PAD  
 FLANGED OR BUTT WELDING ENDS  
 AVAILABLE WITH BG OPERATOR



### Materials of parts

No	Part Name	ASTM Material		
		Carbon Steel	18Cr-9Ni-2Mo	Carbon Steel
1	Body	A105N	A351-CF8M	A352-LCB
2	Bonnet	A105N	A351-CF8M	A352-LCB
3	Ball	A182-F304 <sup>1)</sup>	A182-F316	A182-F304 <sup>1)</sup>
4	Stem	A276-304	A276-316	A276-304
5	Seat Ring	R.PTFE		
6	Bonnet Gasket	Graphite+304 <sup>2)</sup>	PTFE	Graphite+304 <sup>2)</sup>
7	Bonnet Stud	A193-B7	A193-B8	A320-L7
8	Bonnet Stud Nut	A194-2H	A194-8	A194-4
9	Packing	PTFE		
10	Gland	A105	A182-F316	A350-LF2
11	Gland Bolt	A193-B7	A193-B8	A193-B7
12	Stop Plate	Carbon Steel	Carbon Steel+Zn	Carbon Steel
13	Handle	Carbon Steel		

Note: 1). A105+ENP optional  
 2). Spiral wound construction.



### Dimensions data

NPS DN	1/2 15	3/4 20	1 25	1 1/2 40	2 50	2 1/2 40	3 80	4 100	6 150	8 200	10 250	12 300	in mm
<b>ANSI Class 300Lb</b>													
L (RF)	5.50 140	6.00 152	6.50 165	7.50 190	8.50 216	9.50 241	11.12 283	12.00 305	15.88 403	19.75 502	22.38 568	25.50 648	in mm
L1 (BW)	5.50 140	6.00 152	6.50 165	7.50 190	8.50 216	9.50 241	11.12 283	12.00 305	18.00 457	20.50 521	22.00 559	25.00 635	in mm
H	2.12 55	2.12 55	2.50 65	3.38 85	16.00 400	16.00 400	24.00 600	24.00 600	9.88 250	11.00 280	12.62 320	15.38 390	in mm
(d)	13	19	25	32	49	62	74	100	150	201	252	303	mm
W	8 200	8 200	12 300	12 300	10 250	12 300	14 350	19 480	24 600	24 600	32 800	32 800	in mm
WT (kg)	3.5 2.8	4.6 3.1	6.7 4.4	10.5 5.5	14.5 8.7	22 13.5	29 17	50 31	141 108	242 194	302 234	423 325	RF BW



# FLOATING FORGED STEEL BALL VALVE 600LB

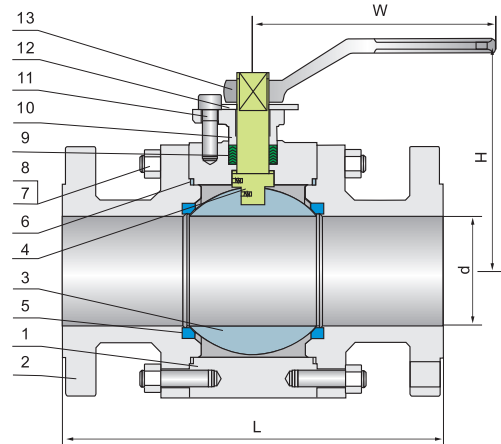
## Three-Piece Floating Ball Valve

### Applicable standards:

STEEL BALL VALVES, API 608/API 6D  
 STEEL BALL VALVES, ISO 10434/ISO 14313  
 FIRE DURABLE, API 607  
 ANTI STATIC, API 608  
 STEEL VALVES, ASME B 16.34  
 FACE TO FACE, ASME B 16.10  
 END FLANGES, ASME B 16.5  
 BUTTWELDING ENDS, ASME B 16.25  
 INSPECTION AND TEST, API 598/API 6D

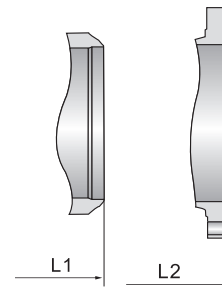
### Design description:

FULL PORT DESIGN  
 BB, BOLTED BONNET, SPLIT BODY  
 FLOATING BALL TYPE  
 BLOW-OUT PROOF STEM  
 FIRE DURABLE CONSTRUCTION  
 ANTI STATIC DEVICE  
 STOPPER DEVICE  
 ISO5211 MOUNTING PAD  
 FLANGED OR BUTT WELDING ENDS  
 AVAILABLE WITH BG OPERATOR



### Materials of parts

No	Part Name	ASTM Material		
		Carbon Steel	18Cr-9Ni-2Mo	Carbon Steel
1	Body	A105N	A351-CF8M	A352-LCB
2	Bonnet	A105N	A351-CF8M	A352-LCB
3	Ball	A182-F304 <sup>1)</sup>	A182-F316	A182-F304 <sup>1)</sup>
4	Stem	A276-304	A276-316	A276-304
5	Seat Ring	R.PTFE		
6	Bonnet Gasket	Graphite+304 <sup>2)</sup>	PTFE	Graphite+304 <sup>2)</sup>
7	Bonnet Stud	A193-B7	A193-B8	A320-L7
8	Bonnet Stud Nut	A194-2H	A194-8	A194-4
9	Packing	PTFE		
10	Gland	A105	A182-F316	A350-LF2
11	Gland Bolt	A193-B7	A193-B8	A193-B7
12	Stop Plate	Carbon Steel	Carbon Steel+Zn	Carbon Steel
13	Handle	Carbon Steel		



Note: 1). A105+ENP optional  
 2). Spiral wound construction.

### Dimensions data

NPS DN	1/2 15	3/4 20	1 25	1 1/2 40	2 50	2 1/2 40	3 80	4 100	6 150	in mm
<b>ANSI Class 600Lb</b>										
L (RF)	6.50 165	7.50 190	8.50 216	9.50 241	11.50 292	13.00 330	14.00 356	17.00 432	22.00 559	in mm
L1 (BW)	-	-	-	-	11.62 295	13.12 333	14.12 359	17.12 435	22.12 562	in mm
H	2.25 58	2.25 58	2.62 68	3.50 89	4.12 105	6.25 158	7.50 190	9.75 247	10.38 262	in mm
(d)	13	19	25	32	49	62	74	100	150	mm
W	8 200	12 300	12 300	16 400	16 400	24 600	24 600	24 600	32 800	in mm
WT (kg)	4.5 3.8	5.5 4.1	8 5.6	12.5 7	18 12	27 18	35 23	61 43	172 139	RF BW



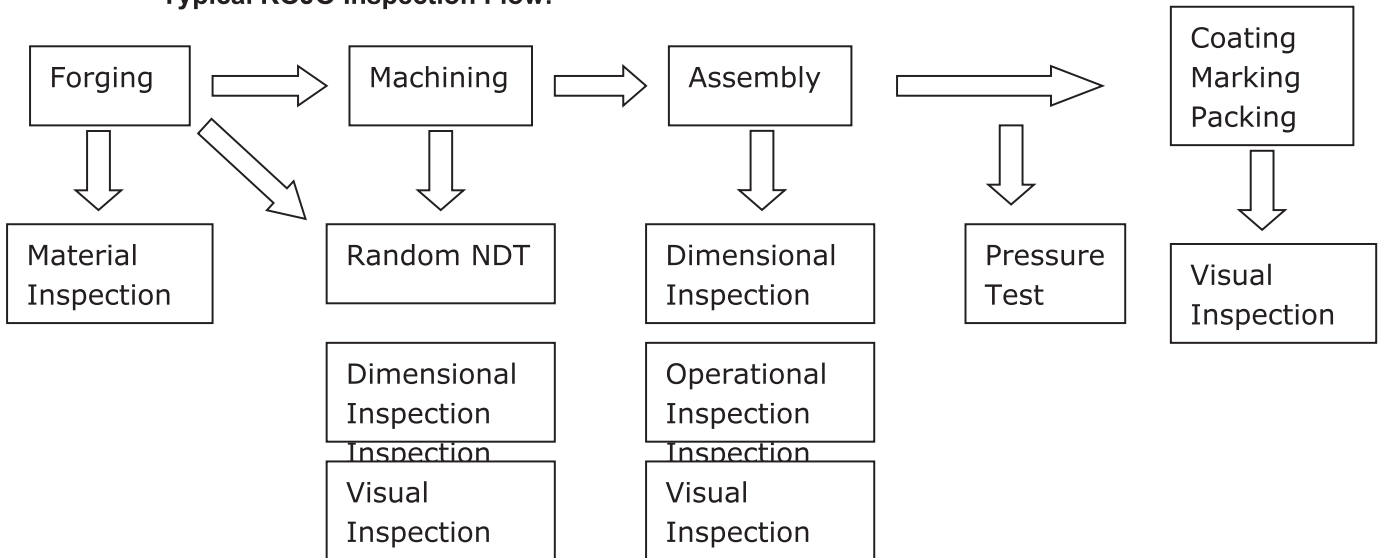
### Inspection Procedure:

100% of valves manufactured by KOJO are tested in excess of API 6D requirements for Turnion mounted ball, API 598 for Floating ball valve, prior to shipping, while each valve is guaranteed for 12 months after placement in service, but not exceeding 18 months after shipment from the factories of KOJO Corporation.

#### Standard Pressure Tests:

- Visual and dimensional check
- High-pressure hydrostatic shell test
- High-pressure hydrostatic seats test
- Low-pressure air seats test
- Stem torque check

#### Typical KOJO Inspection Flow:





## KOJO VALVE CO.,LTD

Add:Dongou Industrial Zone Oubei Town,Wenzhou Zhejiang China

P.C.:325105

Tel:86-577-67959556 / 67959557

Fax:86-577-67959555

<http://www.kojocn.com>

Email:[info@kojocn.com](mailto:info@kojocn.com)